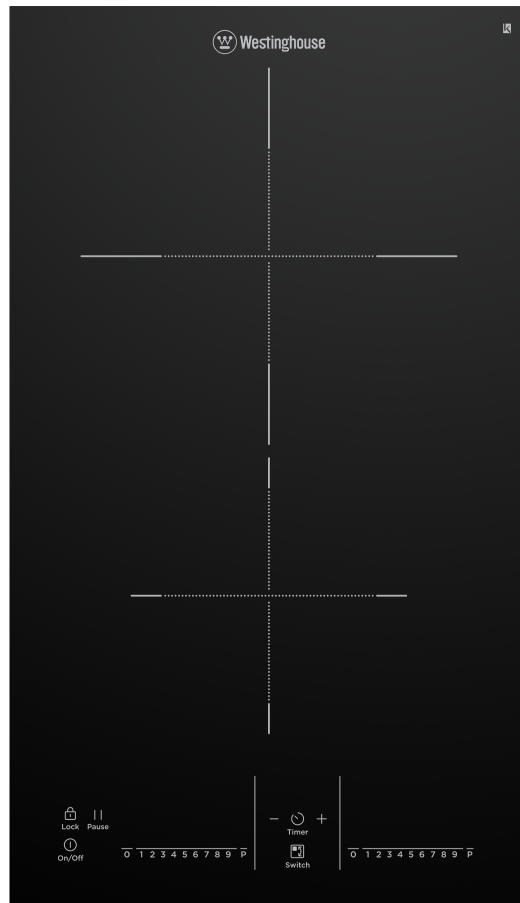


30cm 2 zone induction cooktop with Pause, QuickCook Timer and touch slide controls.



Product Details

FEATURES

PowerBoost

Pause

Touch slide control

QuickCook Timer

Residual heat indicator

Child safety device

Easy clean ceramic surface

BENEFITS

Zero to Boil in no time

With PowerBoost, you can rapidly boil a pot of water or quickly heat up a frying pan. Spend less time waiting and more time creating your favourite meals.

Hold everything with our clever Pause function

We know that family life is full of distractions. That's why you'll appreciate our clever Pause function. Simply touch the Pause icon on your cooktop and all operating induction zones will drop to the lowest setting. When you're ready to go again, hit Pause again and settings will return to where you left off.

Slide for instant temperature control

Easy touch slider control allows you to choose your temperature setting instantly with the slide of a finger.

Timed to perfection

Never over-cook or burn dinner again. Just set the cooking time and your cooktop will automatically turn the heat off for you.

Easy Clean Ceramic Surface

Not only aesthetically pleasing, the full glass ceramic hob with touch controls is easy to use and clean and eliminates dirt traps.

Specifications

PRODUCT PROFILE

| | |
|---------------------------------|---------------------|
| Domestic warranty details (yrs) | 2 |
| Cooktop type | induction |
| Materials/Colour | black ceramic glass |

CONTROLS

| | |
|-----------------------|---|
| Controls of Cooktops | Touch and Slide controls |
| Position of controls | front |
| Functions of Cooktops | timer,Keep warm function,pause,PowerBoost |
| Indicators/display | fault indicator,residual heat warning lamps |
| Features of Cooktop | safety cut off,electronic timer,safety child lock,hot surface indicator |
| Timer of Cooktop | programmable 99min,countdown |

DIMENSIONS

| | |
|---------------------------|-----|
| Total product height (mm) | 51 |
| Total product width (mm) | 300 |
| Total product depth (mm) | 520 |
| Cut out width (mm) | 270 |
| Cut out depth (mm) | 490 |

ELEMENTS/BURNERS

CENTRE FRONT ZONE

| | |
|--------------------------------------|-----------|
| Centre front zone | induction |
| Centre front Watts | 1400 |
| Centre front number of cooking zones | 1 |
| Centre front diameter mm | 140 |

CONTROLS

Readable temperature setting No

CENTRE REAR ZONE

Centre rear zone induction

Centre rear Watts 2300

Centre rear number of cooking zones 1

Centre rear diameter mm 210

SHIPPING

Shipping Volume (m3) 0.025

Shipping Weight (Kg) 6.5

Pack Dimensions Height (mm) 108

Pack Dimension Width (mm) 600

Pack Dimension Depth (mm) 390

ELECTRICAL SPECIFICATIONS

Connected load KW 3.65

Type of connection hardwired

STUFFING QUANTITIES

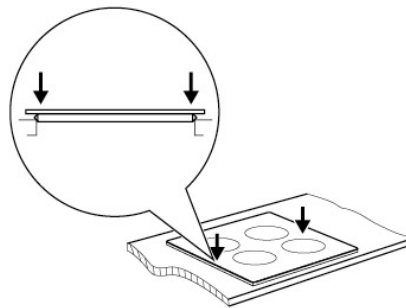
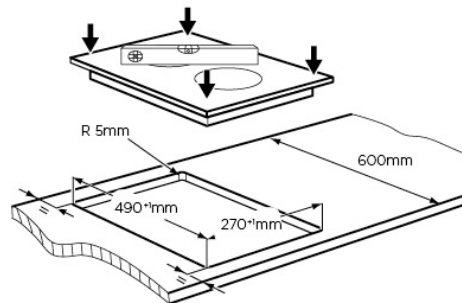
20ft 880

40ft HC 2024

Dimensions

30cm induction cooktop

WHI323BD



IMPORTANT

It is recommended to centre the bench cutout with equal distance front and back as shown but the product has also been certified to be installed with no clearance between the rear edge of the cooktop glass and rear wall if required. In doing so, installers still need to leave sufficient clearance to take into account that the glass dimensions are larger than the cut out.

IMPORTANT

These dimensions are a guide only. All measurements are in millimetres (mm). For complete installation instructions, refer to the manual provided with product.

Terms and Conditions

IMPORTANT

This is a guide of product dimensions only. For complete installation instructions, refer to the manual provided with product.

PRODUCT INFORMATION

The descriptors and illustrations in this publication apply to the specific products and models described as at the date of issue. Under our policy of continuous product development, product specifications may change without notice. Prospective purchasers should therefore check with their retailer to ensure this publication correctly describes the products that are being offered for sale. All information supplied is to be used for general reference purposes only and is on the understanding that Electrolux Home Products Pty Ltd (Australia) and Electrolux (NZ) Ltd (New Zealand) will not be liable for any loss, liability or damage of whatever kind arising as a result of reliance on such information. Colours of products illustrated are as close as printing limitations allow. Electrolux will at all times comply with its obligations pursuant to law including Trade Practices (Australian Consumer Law) Act and Regulations.

WARRANTY

This warranty only applies to Appliances purchased and used in Australia or New Zealand and used in normal domestic applications and is in addition to (and does not exclude, restrict, or modify in any way) any non-excludable statutory warranties in Australia or New Zealand. All warranties are subject to the conditions set out in the warranty card accompanying the product when purchased.

ELECTROLUX HOME PRODUCTS AUSTRALIA

telephone: 1300 363 640

fax: 1800 350 067

email: customercare@electrolux.com.au

web: www.electrolux.com.au

ELECTROLUX HOME PRODUCTS NEW ZEALAND

telephone: 09 573 2230

fax: 09 573 2221

email: customercare@electrolux.co.nz

web: www.electrolux.co.nz